

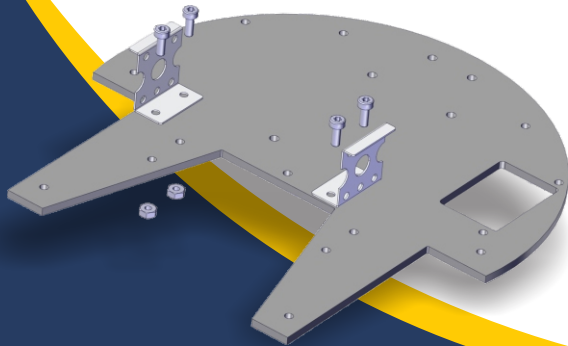


Assembly Guide

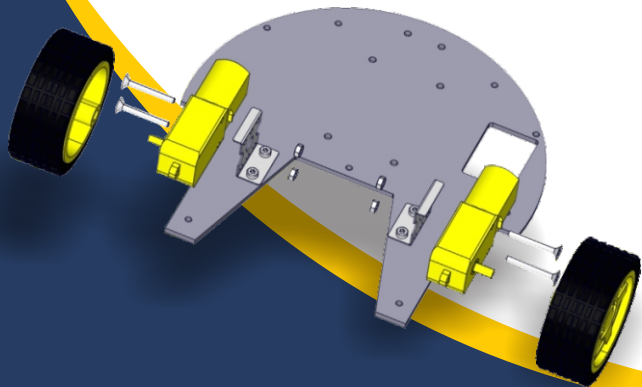
Made with Top Brands

EasyMech, SmartElex, Orange

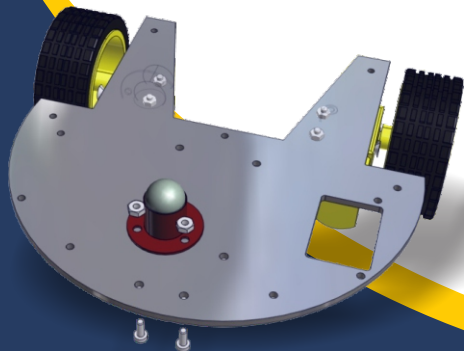
- **Mount the BO Motor Clamp on the baseplate.
Find the Clamps & Screws from the bag labeled
as “Clamps”**



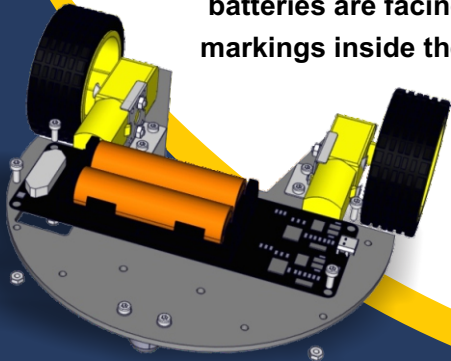
- **Mount the BO motor to the Clamps as shown in the Figure. Find the Screws from the bag labeled "For Motor". Attach the BO wheel to the motor. Make sure to line up the flat edges of the motor shaft with the flat edges of the wheel.**



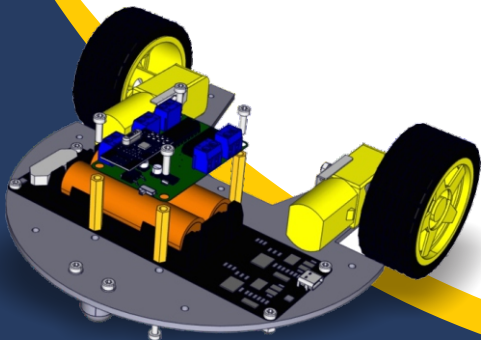
- **Mount the castor wheel on the baseplate as shown in figure. Find the Screws from the bag labeled as "For Castor".**



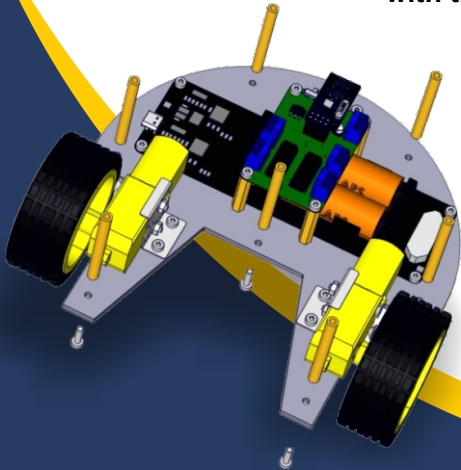
- **Place the SmartElex Li-Ion 2S 18650 Battery Charger on the baseplate as shown in figure. Find the Screws from the bag labeled as “For Charger”. Insert the Orange 18650 Li-Ion cell in the holder. Make sure the batteries are facing the correct direction as per markings inside the Battery Holder.**



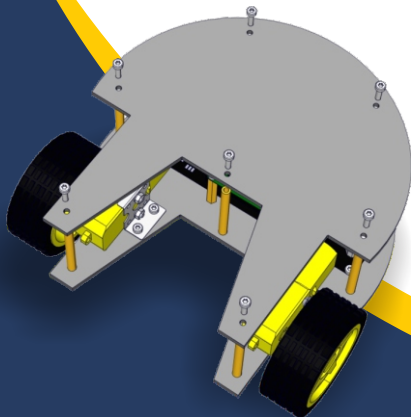
- **Mount the SmartElex Motor Driver with the help of Standoff on the baseplate. Find the standoff and screws from the bag labeled as “For Motor Driver”**



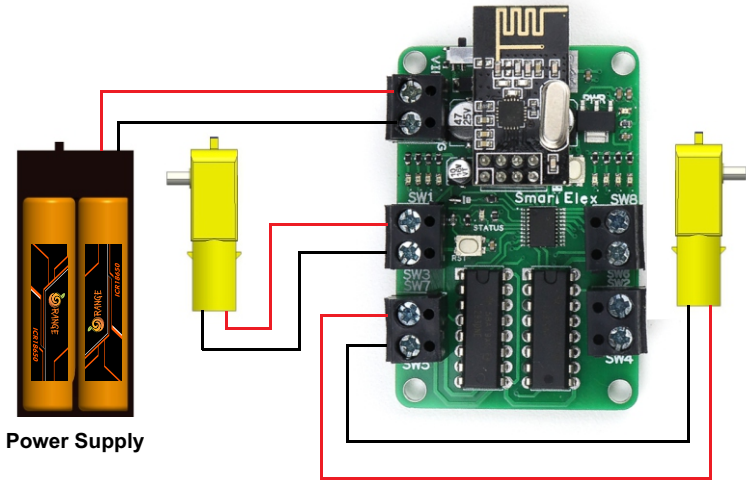
- **Make the connection of Motors and Power supply to the Motor Driver with the help of Connection Diagram.**



- In the last step Mount the top plate with the help of standoff as shown in the figure. Find the standoff & screws from the label “For top Plate”



Connection Diagram





Learn. Build. Play.