

Orange OE-28 Encoder

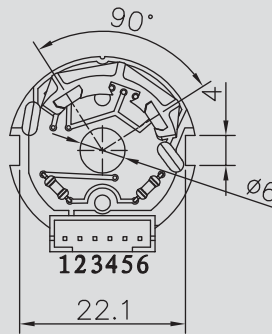
Two Channel Hall Effect Encoder

Operating relative humidity : 20%~85%RH

Operating temperature range: -40°C~+85°C



Appearance size



Two Channel Encoder Connections:

1. MOTOR -
2. MOTOR +
3. HALL SENSOR Vcc
4. HALL SENSOR GND
5. HALL SENSOR A Vout
6. HALL SENSOR B Vout

*This decoder is mainly installed on RS-385, RS-395 motors.

3PPR,7PPR

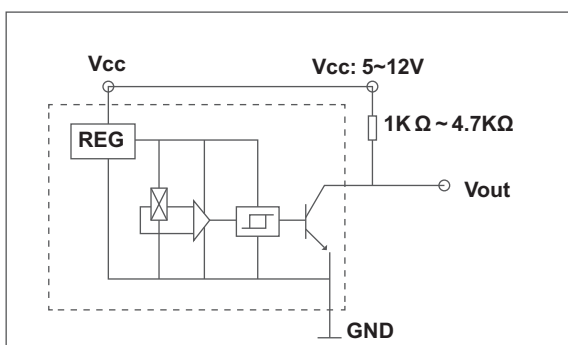
*Each turnout output 3PPR,7PPR

Characteristics	Symbol	Test conditions	Min	Ref	Max	Units
Supply Voltage	Vcc	-----	4.5	--	24	V
Supply Current	Icc	-----	--	14	20	mA
Output Current	Ic	Vce=12V; Gauss<-170	--	<0.1	20	mA
Output Leakage Current	Icex	Output open; 25°C [77 °F]	--	--	10	µA
Output Rise Time	Tr	RL=820Ω; CL=20pF; 25°C	--	0.5	1.5	µS
Output Fall Time	Tf	RL=820Ω; CL=20pF; 25°C	--	0.2	1.5	µS

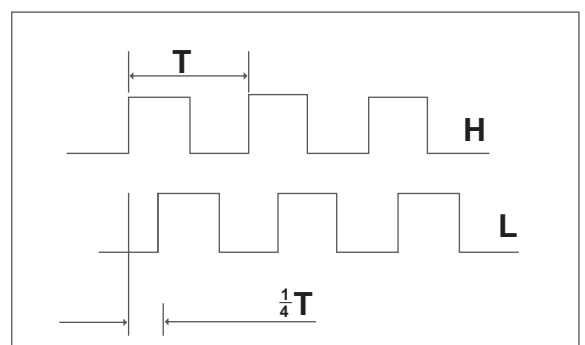
ELECTRICAL CHARACTERISTICS

At V=4.5V to 24V with 20mA load with Ta=-40°C to 125°C [-77°F to 257°F] unless otherwise noted.

Output Circuit



Output Wave



○ The above parameters are for reference only.