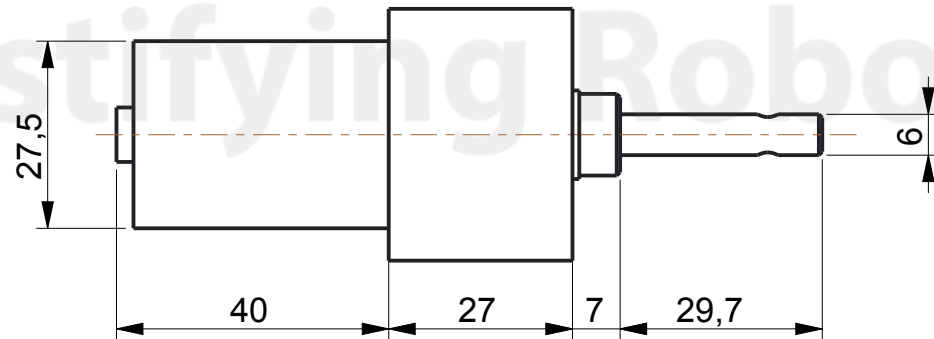
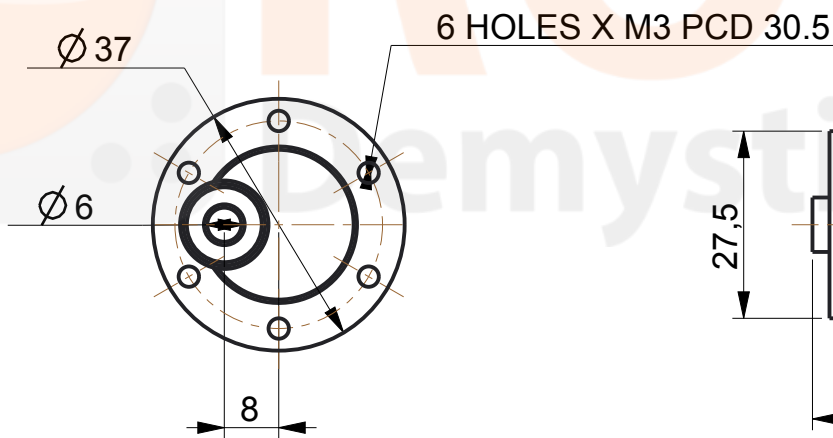
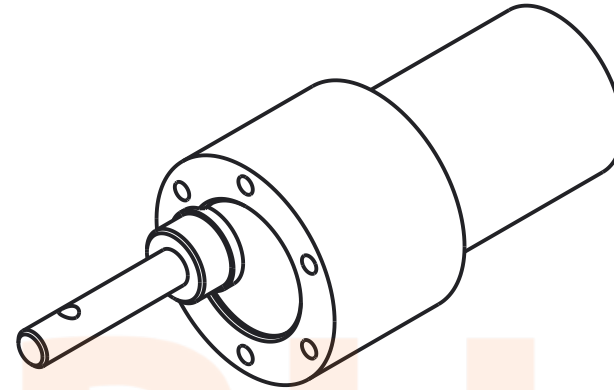
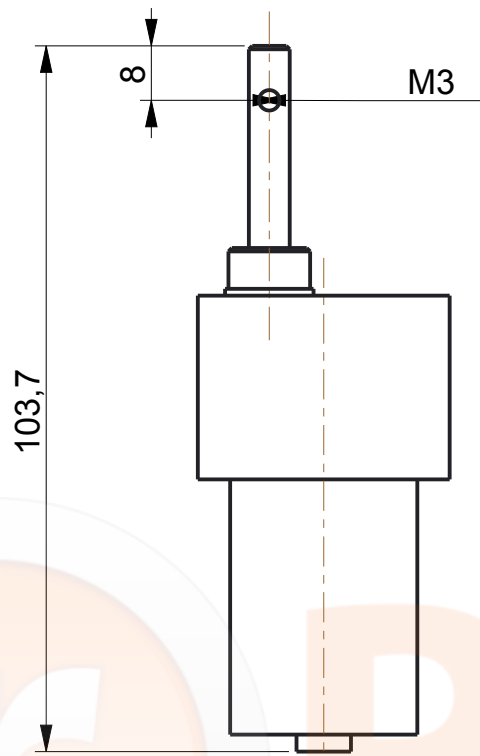


NOTE- DEPENDING ON THE MANUFACTURER GIVEN
DIMENSIONS MAY VARY IN THE RANGE OF $\pm 5\%$



TITLE-JOHNSON GEARED MOTOR
GRADE A QUALITY

SCALE-1:1

ROBU.IN

ALL DIMENSIONS ARE IN MM