

X500 v2 Assembly Guide

1

6. Motor Base
7. Socket Cap Screw M2.5*12 2pcs
5. Socket Cap Screw M3*6 4pcs
4. Socket Cap Screw M2.5*10 2pcs
3. Carbon Fiber Tube-Arm
2. Nylon Parts
1. Socket Cap Screw M2.5*6 4pcs

2

9. Battery Mounting Board
10. Battery Pad
11. Sunk Screw M2.5*6 12pcs
8. Slide bar
12. Platform Board
13. Hanger Rubber Ring Gasket 8pcs
14. Hanger 8pcs
15. Slide Bar Clip 2pcs

3

1. Socket Cap Screw M2.5*6 8pcs
18. Locknut M3 4pcs
17. Bottom Plate
16. Nylon Standoff M3*5 4pcs
19. Screw M3*14 4pcs
(For XT60 Holder)
(Front)

4

23. Socket Cap Screw M3*8 8pcs
*22. XT60 Holder
21. Landing Gear-Vertical Pole
20. Landing Gear-Cross Bar
(Front)

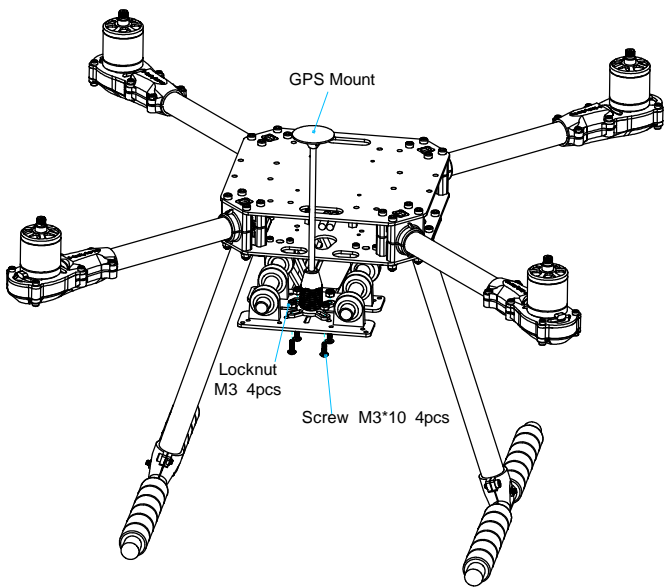
5

25. Socket Cap Screw M3*38 16pcs
24. Top Plate
26. Flange Locknut M3 16pcs

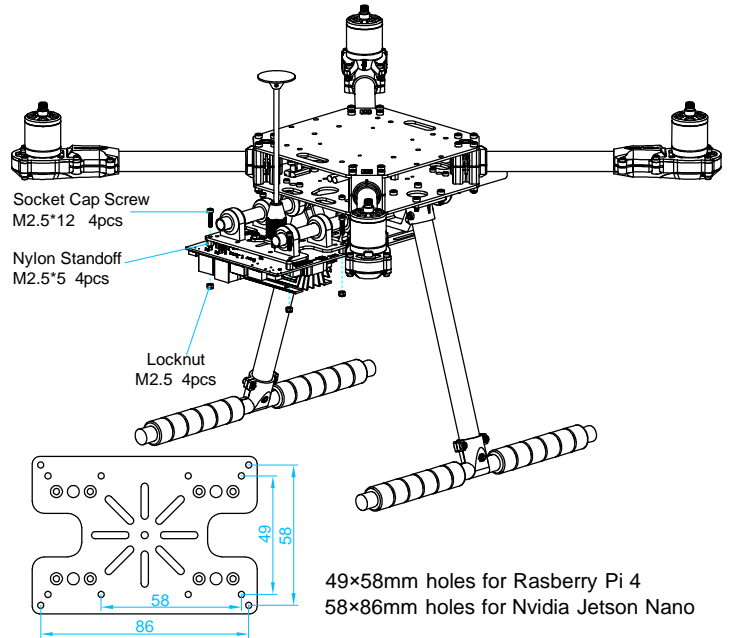
***XT60 Holder Installation Guide**

17. Bottom Plate
*22. XT60 Holder
Pay attention to orientation

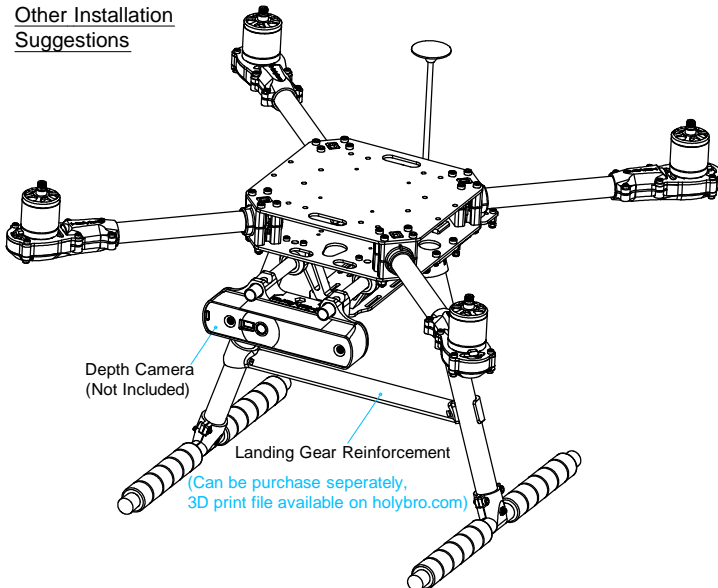
GPS Mount Location Suggestion



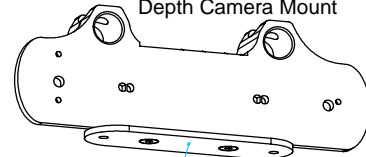
Companion Computer Mounting Suggestion



Other Installation Suggestions

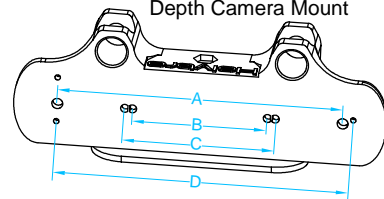


Depth Camera Mount



Bottom facing Platform
(For bottom facing sensors such as lidar, optical flow, infrared sensor, etc)

Depth Camera Mount



A: For Intel Realsense D455 (95mm, M4, 2pcs)
B: For Intel Realsense D415/D435 (45mm, M3, 2pcs)
C: For Intel Realsense T265 (50mm, M3, 2pcs)
D: For Structure Core (98.65mm, M1.6, 3pcs)

PART LIST

