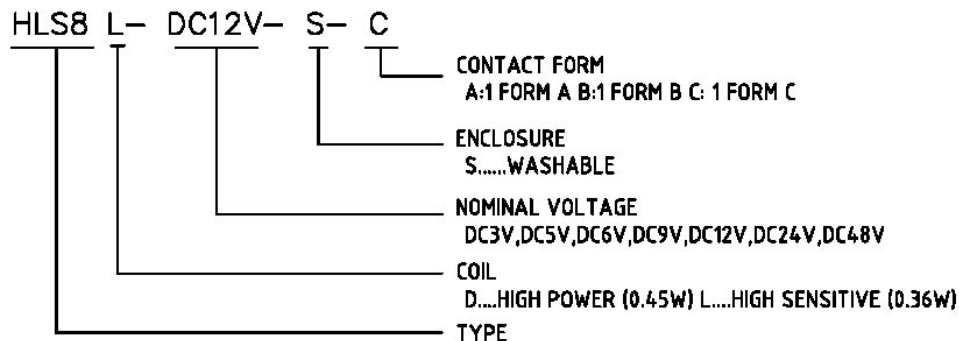




# HLS8-T73 Series Relay

ORDERING CODE 订购代码



## CONTACT DATA : 触点参数:

Contact Form	触点形式	1A/1B/1C
Contact Material	触点材料	AgCdO12 AgNi AgSnO2
Contact Ratings	触点负载	1A:10A 240VAC/12A120VAC/24VDC 1B:8A240VAC 1C:10A 120VAC/24VDC 7A240VAC
Max Switching Voltage	最大转换电压	250VAC/30VDC
Max Switching Current	最大转换电流	15A
Max Switching Power	最大转换功率	2770VA/240W
Initial Contact Resistance	接触电阻 (首次)	50m Max at6VDC 1A
Life Expectancy Electrical	电气寿命	100,000 Operations (rated load)
Life Expectancy Mechanical	机械寿命	10,000,000 Operations (no load)

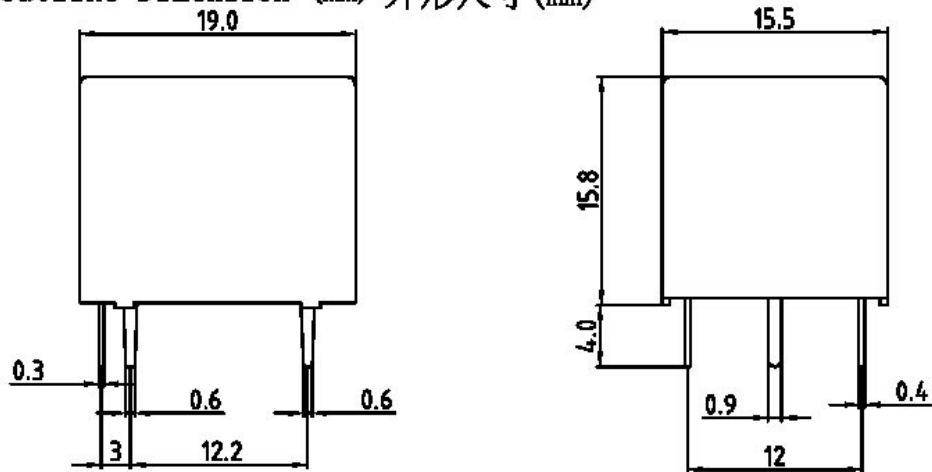
## GENERAL DATA : 一般参数 :

Insulation Resistance	绝缘阻值	100M min at500VDC
Dielectric Strength Between Open Contacts	触点间耐压	750VAC 50-60HZ ( 1minute )
Dielectric Strength Between Contacts And Coil	触点与线圈间耐压	1500VAC 50-60HZ (1 minute)
Operate Time	吸合时间	10ms max
Release Time	释放时间	5ms max
Ambient Temperature	环境温度	-40 to+70
Shock Resistance 冲击	Malfunction 动作极限	10G
	Destruction 破坏极限	100G
Vibration Resistance	振动	10-55Hz,1.5mm double amplitude
Ambient humidity	湿度	40-85% RH
Weight	重量	Approx 10g
Safety Standard	安全标准	UL E220153 CE CQC

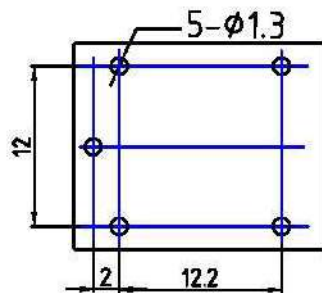
**COIL DATA: 线圈参数: (@20 )**

Rated Voltage 额定电压 (VDC)	Coil Resistance 线圈阻值 ( $\pm 10\%$ )			Max Operate Voltage 最大吸合电压 (VDC)	Min Release Voltage 最小释放电压 (VDC)	Max Applied Voltage 最大负载电压 (VDC)
	0.36W	0.45W	0.64W			
3	25	20	14	2.25	0.3	3.9
5	70	55	39	3.75	0.5	6.5
6	100	80	56	4.5	0.6	7.8
9	225	180	126	6.75	0.9	11.7
12	400	320	225	9	1.2	15.6
24	1600	1280	900	18	2.4	31.2
48	$6400 \pm 15\%$	$5120 \pm 15\%$		36	4.8	62.4

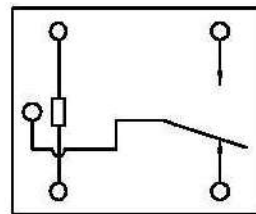
Outline Dimension (mm) 外形尺寸 (mm)



PC Board Layout 安装图 Wiring Diagram 接线图



(Bottom View)



(Bottom View)