

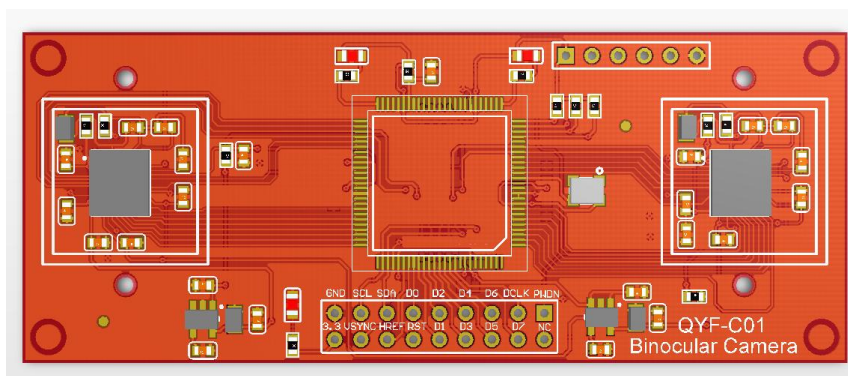
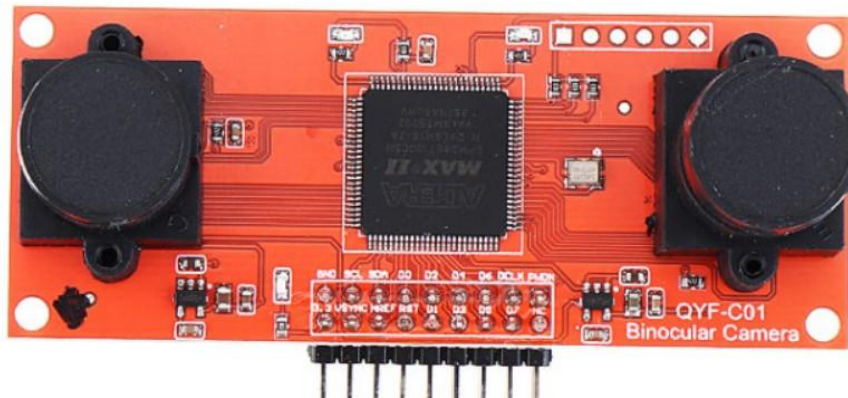
QYF-C01 Binocular Camera Data Sheet V1.0

1. product description

QYF-C01 The binocular camera is to cooperate with the camera interface ARM chip and specially designed binocular camera. The camera is powered by 2 individual OV2640. The composition is designed according to the eye distance of most human bodies, simulating the human eye. It can capture images of static or slow scenes or processing, to achieve ranging and other low-cost binocular occasions.

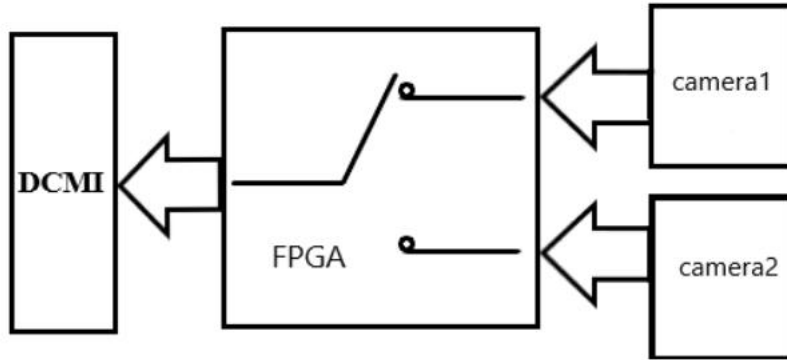
2. camera configuration

- (1) sensor: OV2640
- (2) control logic chip CPLD: MAXII EMP240T100C5N
- (3) Lens focal length: 3.6cm (replaceable)
- (4) interface: stm32 camera digital interface DCMI



3. Camera principle introduction

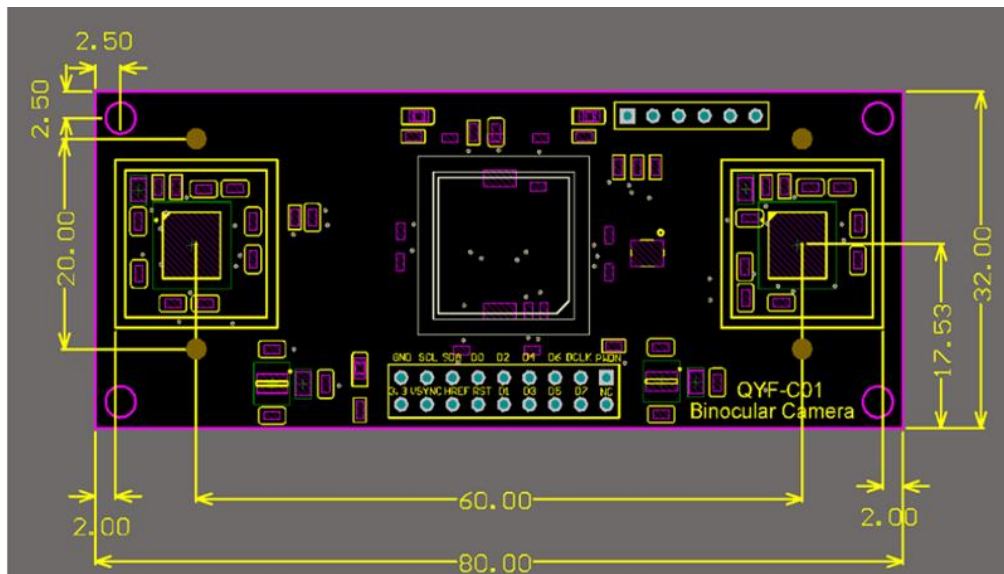
2 individual camera. By switching the data switch, the DCMI always maintain normal acquisition, if the first frame of data represents camera1 data, that Mody2 frame representation camera2 data, the third frame represents camera1 data, the fourth frame is camera2 data, and so on.



Working principle diagram

4.product specification

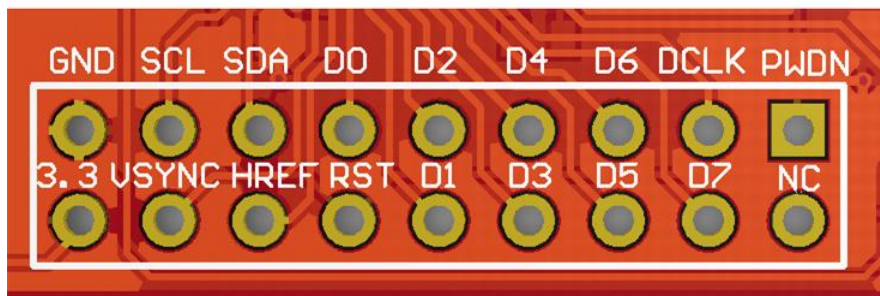
(1)Product Size:



(2) weight: approx.50g

(3) image size:QQVGA QVGA VGA SVGA

(4)Interface definition:



5.Instructions

(1) Insert the binocular camera on the development board

(2)passSWDBurn firmware

(3)connectUSBline available2indivualUSBany of the interfaces

(4) is normal, the LCD will display a double image